



**JLG**®

**1500SJ**



## Features



- Telescopic Upper Jib – extends from 4.65m to 7.62m with 120 degrees ( +75 / -45 degrees) vertical range of motion.



# Features



New LCD Display, mounted to the top of JLG standard control panel.

# Features



Compact transport dimensions allowing for transport on vehicles capable of carrying 22 ton.

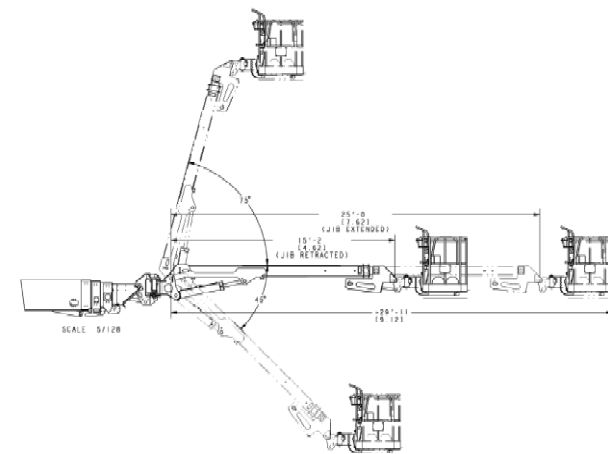
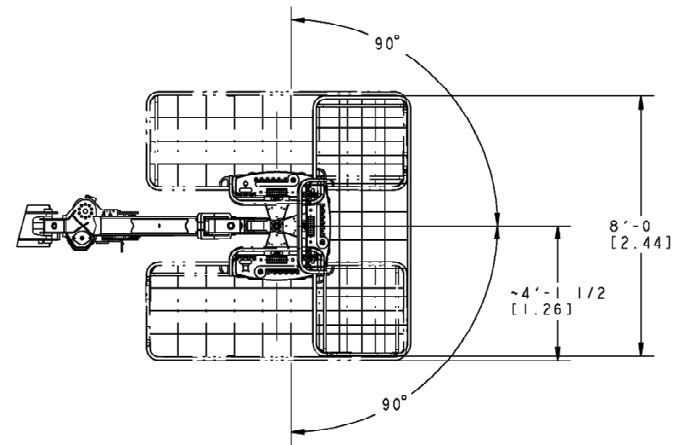
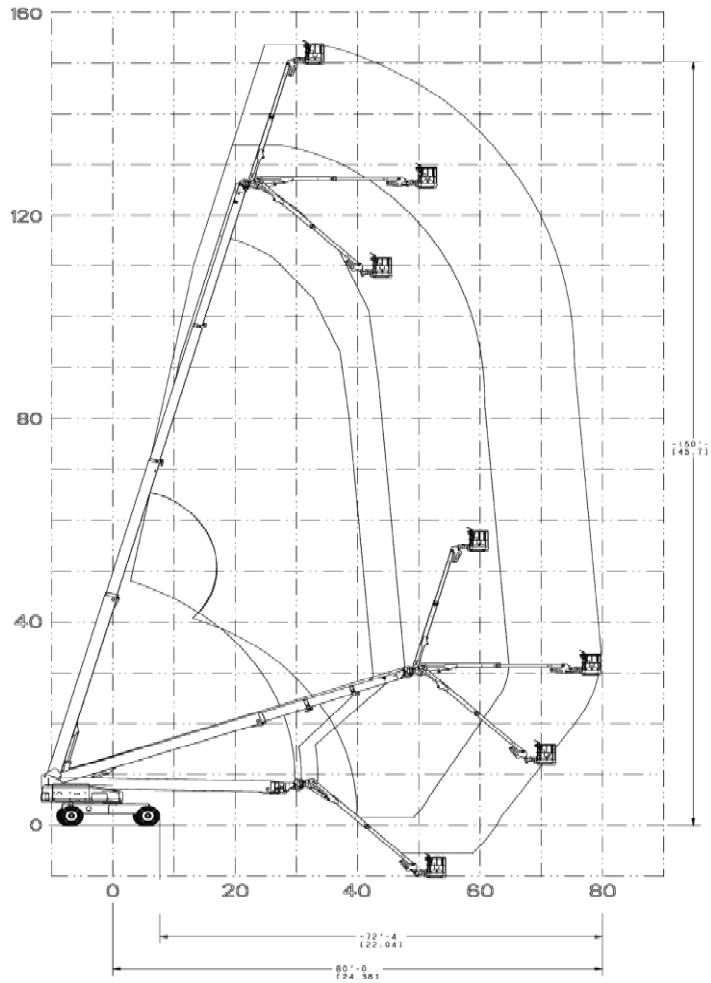
Unable to slew unit when in transport mode. To slew, axles need to be extended.



# Features

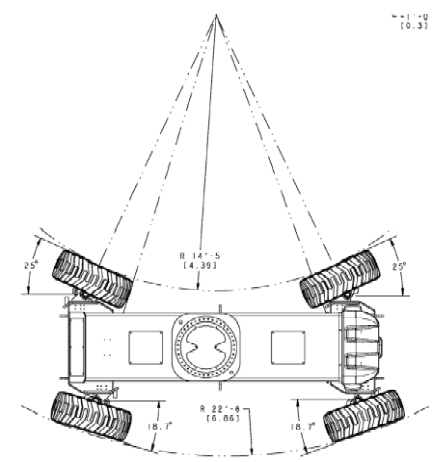
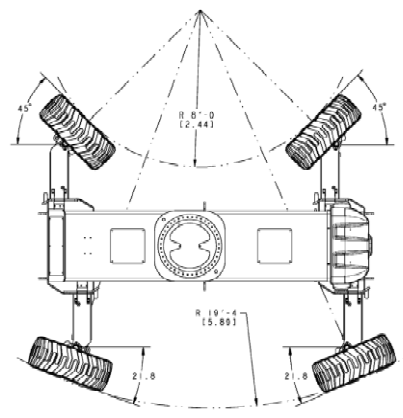
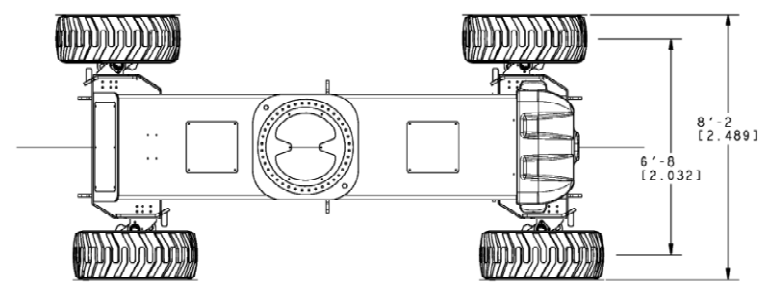
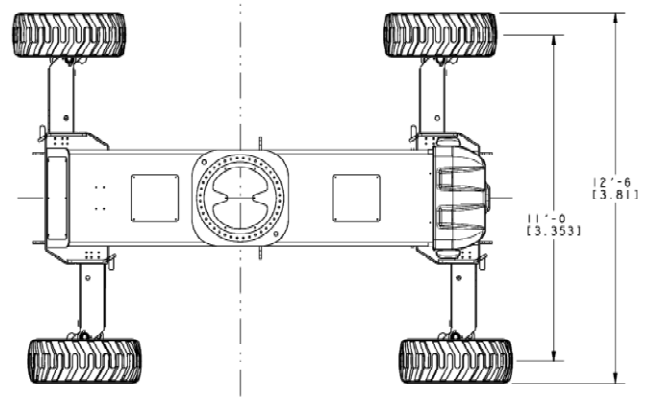
- Duetz Diesel engine with optional exhaust purifier.
- 4 wheel drive
- 4 Wheel steer, Crab steer
- 4 Wheel Brakes
- Oscillating front axle
- Jib stowable for transport
- 2.4mtr (8ft) basket with side entry gate
- Load Sensing Platform System
- Platform display screen for operator
- Analyser adjustable work envelopes
- Urethane filled puncture proof tyres
- 5. 5kVa generator
- MSHA Hoses
- Flashing Amber Beacon
- Windout engine compartment
- Metal Covers
- Cylinder Bellows
- Hydraulic Oil Cooler
- David Clark Communications system
- Slew pinion cover

# Work Chart and Diagrams





# Diagrams



# Preliminary Spec's

Specification	1500SJ	Specification	1500SJ
Maximum Working Height	47.55m	Length Transport (Storage)	14.91m
Maximum Platform Height - unrestricted	45.72m	Width Transport (Storage)	2.49m
Horizontal Reach Maximum - Unrestricted	24.38m	Turntable Tailswing	1.68m
Maximum Platform Height - Restricted	42.67m	Load Capacity Maximum	454kg
Horizontal Reach Maximum - Restricted	21.34m	Platform Dimensions	0.91m x 2.44m
Jib Length	4.65m – 7.62m	Platform Rotation	180 degrees
Jib Range of Motion	+75 / -45 Degrees	Ground Clearance	0.30m
Turntable Rotation	360 Degrees Continuous***	Rated Ground Slope	5 degrees
Height, Stowed	3.05m	Turning Radius Inside Retracted	4.39m
Length, Stowed	18.69m	Turning Radius Outside Extended	5.89m
Width (Std Tyres)	3.81m	Gradeability Max.	40%
Height Transport (Storage)	3.05m	Gross Vehicle Weight	21,772kg